

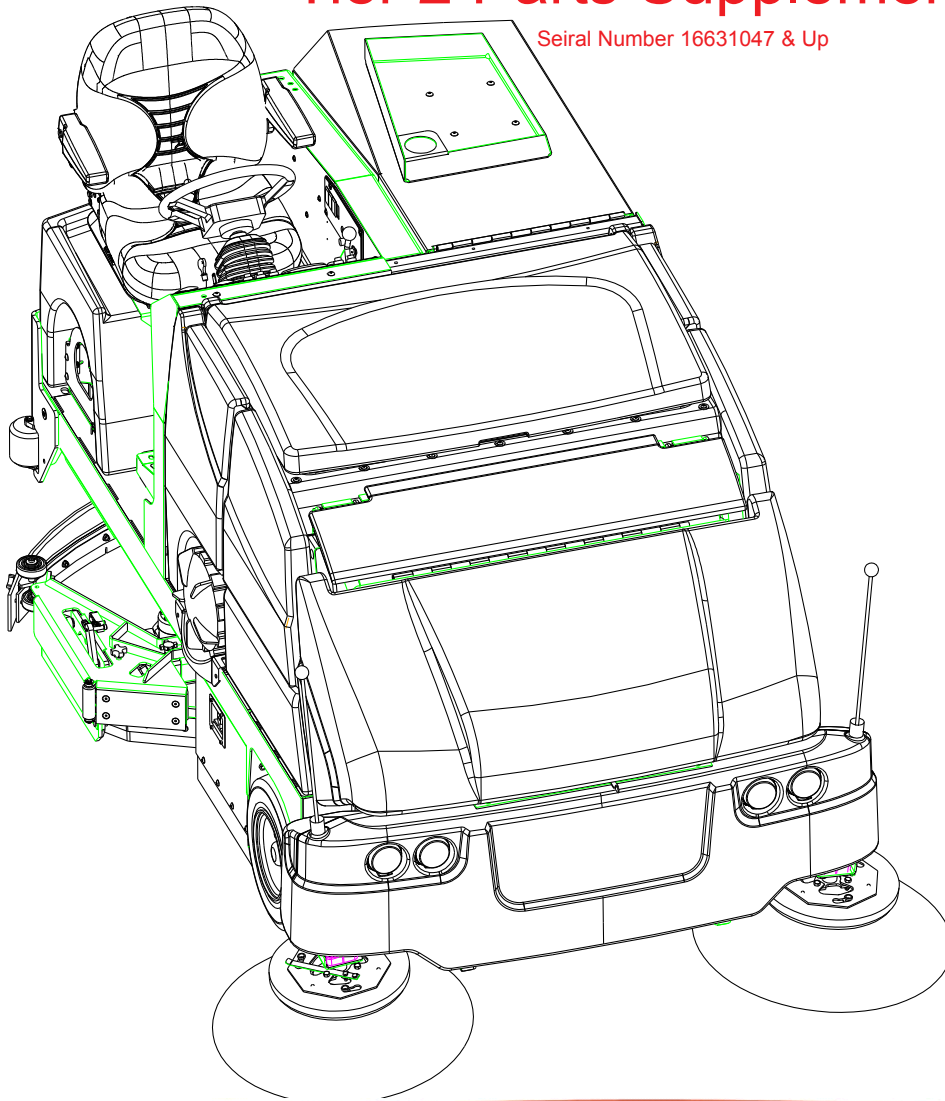
**PowerBoss**<sup>®</sup>  
The Power of Clean

**CORE**

**50** Sweeper  
Scrubber

**Tier 2 Parts Supplement 1A**

Serial Number 16631047 & Up



PowerBoss, Inc.  
A Member Of The Hako Group

[techsupport@powerboss.com](mailto:techsupport@powerboss.com)

Technical Service 1-800-982-7141

PB# 410002 Rev. 06/01/07

## Table Of Contents

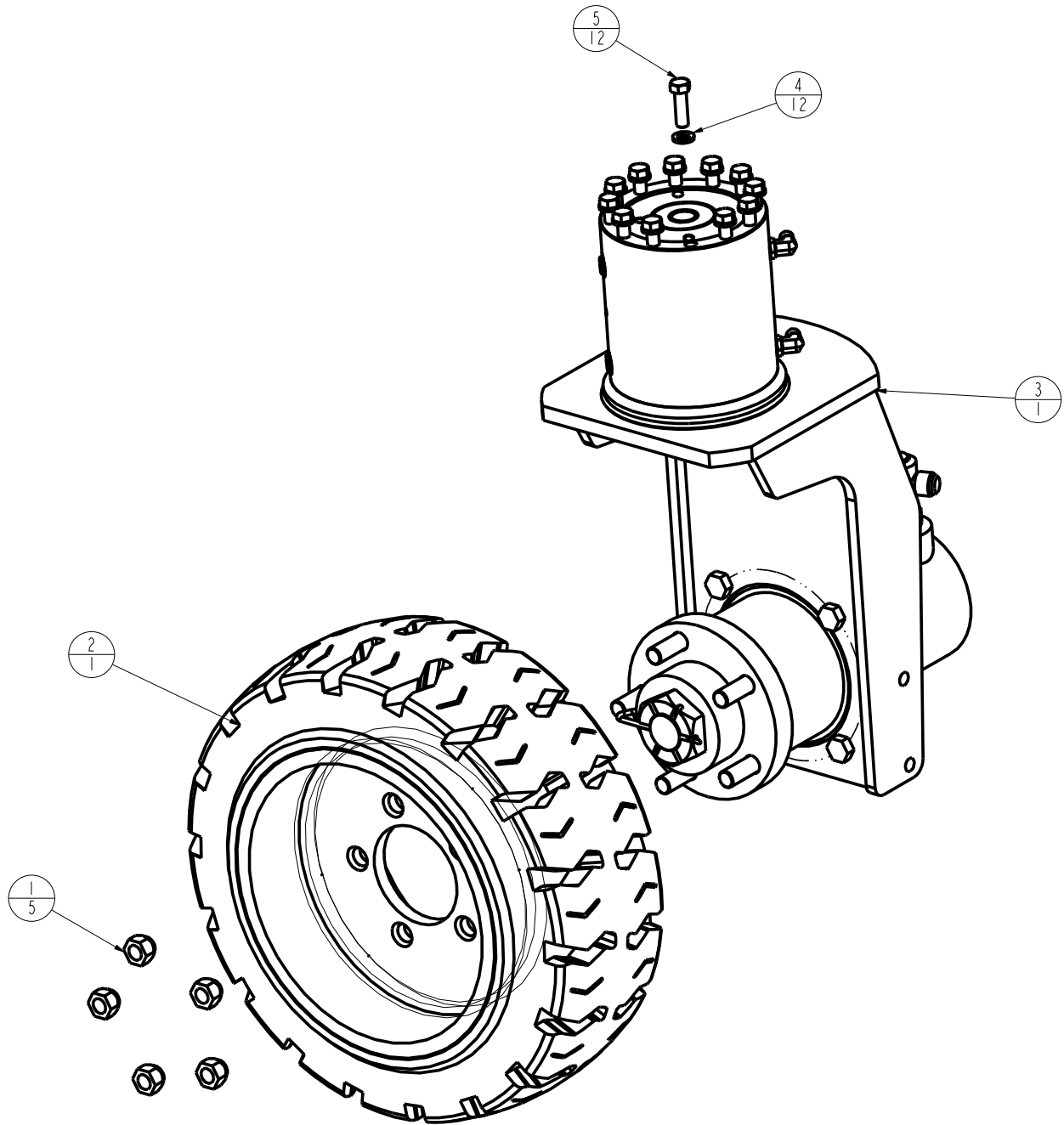
<b>Drive Wheel Group</b> .....	<b>4</b>
Lug Nuts, Tire Assembly,Actuator Fasteners	
<b>Drive Wheel Group Sub Assembly</b> .....	<b>6</b>
Actuator Motor,Steering Fork Weldment	
<b>Engine Cover Sub Assembly</b> .....	<b>8</b>
Seal Trim,Latch,Engine Cover	
<b>Engine Sub Assembly Part 1 GM 1.6 Tier 2</b> .....	<b>10</b>
Swing Frame,Latch,Engine Mounts	
<b>Engine Sub Assembly Part 2 GM 1.6 Teir 2</b> .....	<b>12</b>
Radiator,Hyd.Reservoir,Air Cleaner	
<b>Engine Sub Assembly Part 3 GM 1.6 Teir 2</b> .....	<b>14</b>
Hyd. Pumps,Fittings,Fwd/Rev Cable	
<b>Engine Sub Assembly Part 4 GM 1.6 Teir 2</b> .....	<b>16</b>
Engine Hydraulic Hoses	
<b>Engine Exhaust System &amp; Related Parts</b> .....	<b>18</b>
Muffler,Heat Shield,Bumper Sub	
<b>Frame Group Part 1</b> .....	<b>20</b>
Straps,Seals,Edging,Door Spacers	

## Table Of Contents

Continued

<b>Frame Group Part 2.....</b>	<b>22</b>
Battery Box,Fuse Panel,Horn	
<b>Fuel System Gasoline Group.....</b>	<b>24</b>
Fuel Pump,Fuel Filter,Tank Strap	
<b>Fuel Tank Sub Assembly Gasoline.....</b>	<b>26</b>
Fuel Tank,Valve,Door Magnets	
<b>Rear Guard Assembly.....</b>	<b>28</b>
Hindges,Latch,Door Stop	
<b>Side Squeegee Sub Assembly L/H.....</b>	<b>30</b>
Squeegee Blade,Roller,Thrust Bearings	
<b>Side Squeegee Sub Assembly R/H.....</b>	<b>32</b>
Squeegee Blade,Roller,Thrust Bearings	
<b>Solution / Recovery Tank Group.....</b>	<b>34</b>
Drain Hose,Caps	
<b>Solution / Recovery Tank Sub Assembly.....</b>	<b>36</b>
Lid,Bladder,Gaskets	

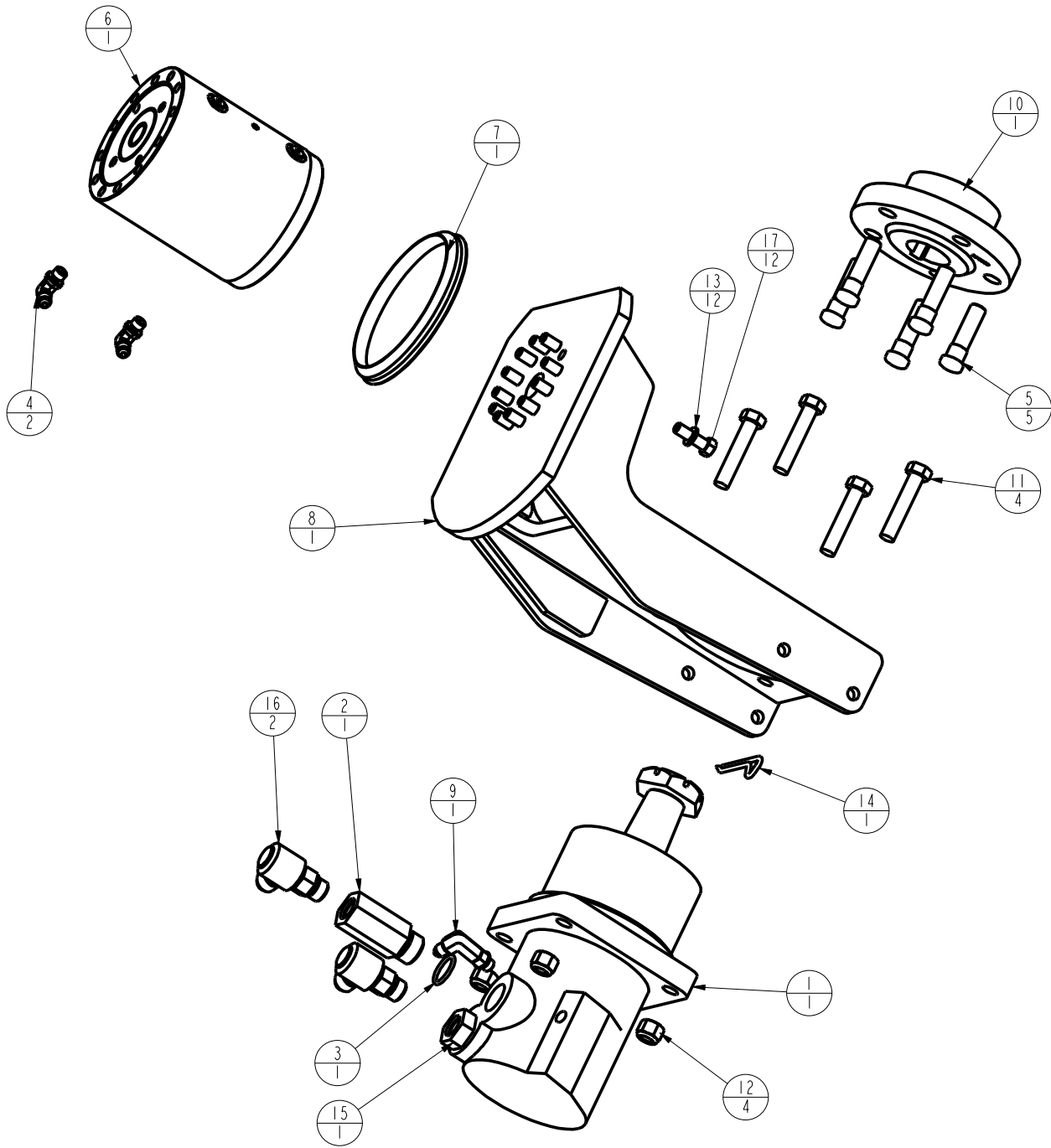
# Drive Wheel Group 3342648



## Drive Wheel Group Continued

ITEM	PART NO.	REQ'D	DESCRIPTION
1	3316057	5	NUT-LUG 1/2-20
2	3316330	1	WHEEL/TIRE ASSY 16 X 6
3	3341666	1	SUB - 1800 / 5550 REAR DRIVE
4	3400101	12	WASHER-LOCK 3/8 SPLIT ZP
5	3401087	12	SCREW -HHM 3/8-16 X 1.25 LG ZP GR 8

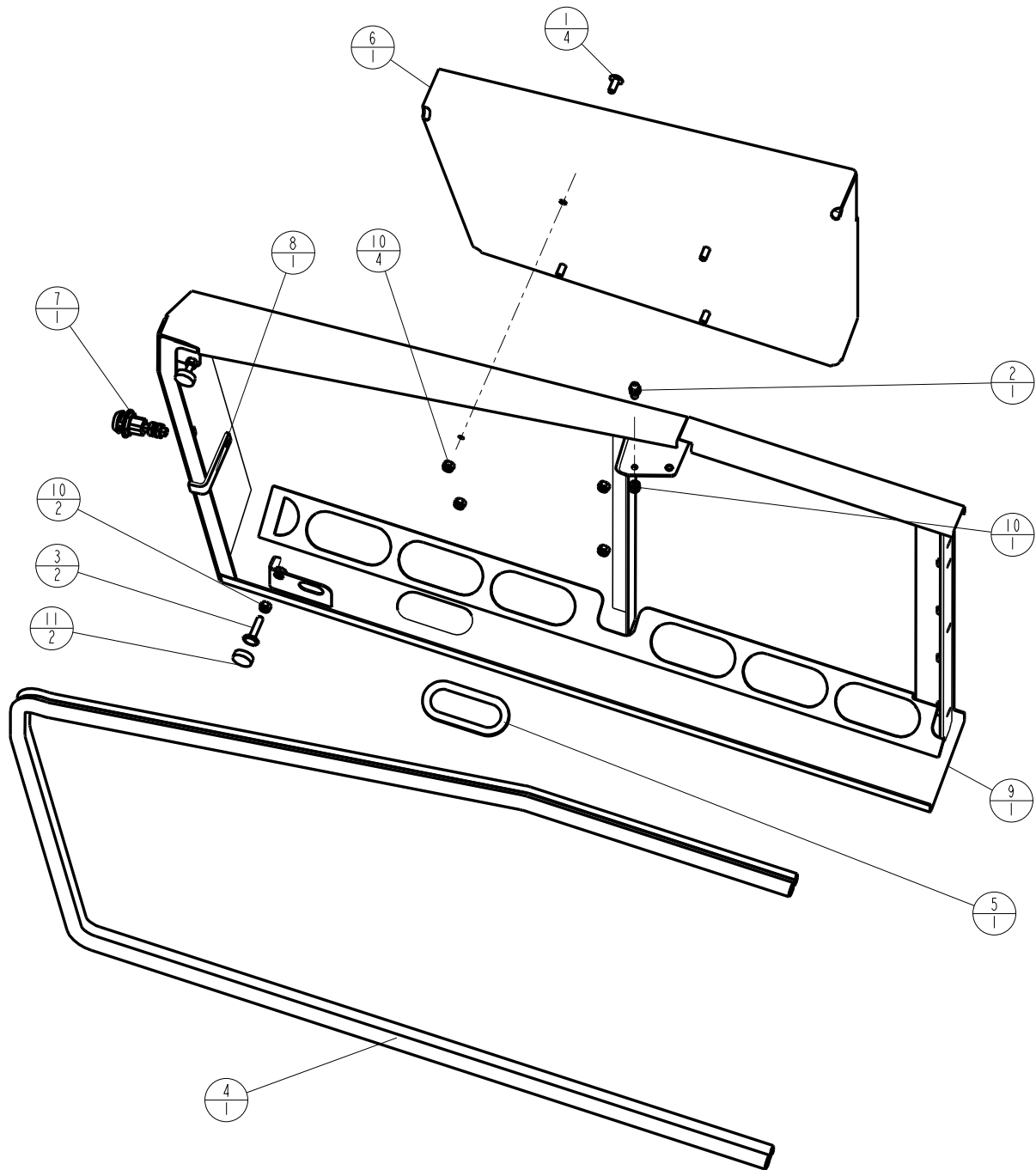
# Drive Wheel Group Sub Assembly 3341666



## Drive Wheel Group Sub Assembly Continued

ITEM	PART NO.	REQ'D	DESCRIPTION
1	3301533	1	MOTOR-HYD 4000 SERIES
2	3301834	1	FTG-SPECIAL WHEEL MTR
3	3302251	1	O-RING 0.924 ID X 0.116W
4	3302407	2	FTG-90 EL 4MORB X 4M JIC
5	3316059	5	STUD-REAR WHEEL
6	3321422	1	ACTUATOR-ROTARY L10 180 DEG
7	3334360	1	SEAL-VS130 HELAC
8	3341202	1	WELD-REAR STEER FORK
9	3343062	1	FTG-1/4MPT X #4M JIC LPG COUPL
10	3343101	1	HUB-REAR WHEEL FULL PCP
11	3400019	4	SCR-HEX 1/2-13 X 2.50 ZP
12	3400078	4	NUT-HEX 1/2-13 ES ZP
13	3400101	12	WASHER-LOCK 3/8 SPLIT ZP
14	3400120	1	PIN-COTTER 5/32 X 2.00 ZP
15	3400167	1	FTG-12MORB X 8FORB
16	3400169	2	FTG-SWIVEL 8MORB X 8JIC
17	3401087	12	SCREW-HHM 3/8-16 X 1.25 LG ZP GR 8

# Engine Cover Top Sub Assembly 3343365\_A

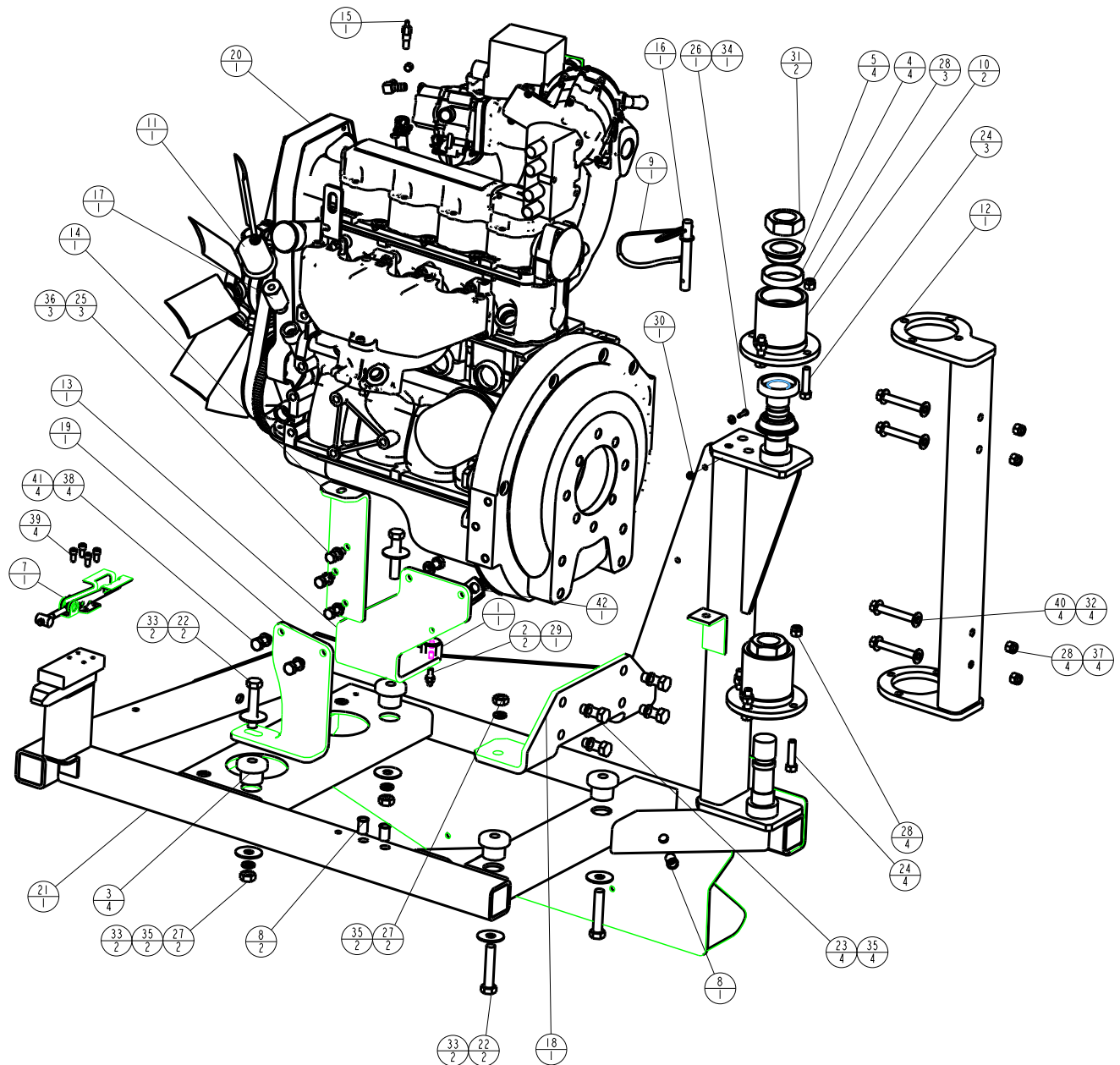




## Engine Cover Top Sub Assembly 3343365\_A

ITEM	PART NO.	REQ'D	DESCRIPTION
1	710197	4	SCREW TRUSS HEAD 5/16-18 X .75 PH ZP
2	3300376	1	STUD-BALL 10MM
3	3307639	2	LEVELER-5/16-18x1.5", 1" DIA,
4	3342831	1	SEAL-TRIM
5	3342832	1	EDGING-VINLY 1/8 X 1/4
6	3342863	1	BOX, EC, TOP
7	3343017	1	LATCH, VISE ACTION, LARGE, 7MM KEY
8	3343066	1	PAWL-LATCH, ENG COVER
9	3343366	1	WELD-ENG COVER, TOP, 1800
10	3400080	7	NUT-HEX 5/16-18 ES ZP
11	3401076	2	CAP-RUBBER, ADJ SCR

Engine Sub Assembly Part 1  
GM 1.6L Tier 2  
3343278\_1

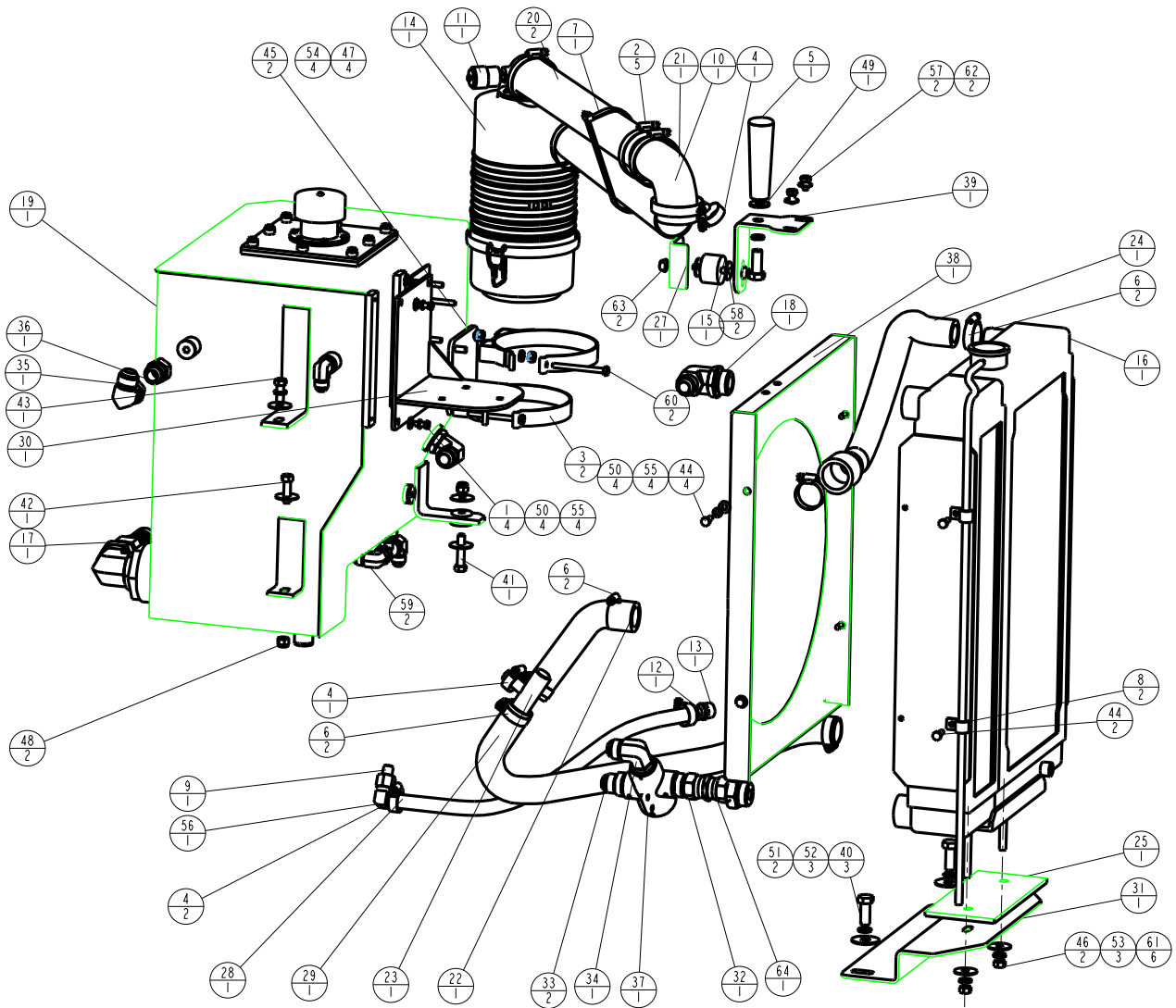


## Engine Sub Assembly Part 1 Continued

### 3343278\_1

ITEM	PART NO.	REQ'D	DESCRIPTION
1	740132	1	INSULATOR, PLASTIC
2	833638	2	BRASS STUD
3	3300464	4	MOUNT-ISOLATION
4	3300470	4	BEARING-TAPERED ROL CUP
5	3300471	4	BEARING-TAPERED ROLCONE W /SEAL
6	3302493	1	TIE-WIRE, 8 LG
7	3307377	1	LATCH-ENGINE SW /A
8	3322187	3	INSERT 5/16-18 X .31 LG ZP
9	3334364	1	CHAIN-ENG LOCKING PIN 5550
10	3341041	2	BRG MNT B - SWG FR
11	3341069	1	SENDER-OIL PRESSURE 12V
12	3341364	1	WELD - MNT SWING FR
13	3341579	1	MNT-ENG, RH FWD, GM 1_6L, 1800
14	3341729	1	MOUNT-RESERVOIR ENGINE
15	3341806	1	SENDER-TEMPERATURE 1/8 NPT
16	3342040	1	PIN-QUICK RELEASE 1/2 X 2 1/2
17	3342078	1	ADAPTER-1.6L GM OIL SENDER
18	3342682	1	MNT-ENG, REAR, GM 1_6L, 1800
19	3342911	1	MNT-ENG, LH FWD, GM 1_6L, 1800
20	3343256	1	ENGINE-LP, GM 1.6L TIER 2
21	3343414	1	WELD-SWING FRAME
22	3400019	4	SCR-HEX 1/2-13 X 2.50 ZP
23	3400022	4	SCR-HEX 1/2-13 X 1.25 ZP
24	3400028	7	SCR-HEX 3/8 -16X1.50 ZP
25	3400030	3	SCREW -HHM 3/8-16 X 1.0 LG ZP
26	3400045	1	SCR-8-32 X 5/8 PAN HD SLT ZP
27	3400065	4	NUT-HEX 1/2-13 ZP
28	3400079	11	NUT-HEX 3/8-16 ES ZP
29	3400081	1	NUT-HEX 1/4-20 ES ZP
30	3400082	1	NUT-HEX #8-32 ES ZP
31	3400083	2	NUT-HEX 1 1/4-12 ES ZP
32	3400087	4	WASHER 3/8 ID .81 OD X .065 THK
33	3400091	6	WASHER-FENDER 1/2 ZP
34	3400096	1	WASHER-FLAT #8 ZP
35	3400098	8	WSR-LOCK 1/2, ZP
36	3400101	3	WASHER-LOCK 3/8 SPLIT ZP
37	3400385	4	WASHER CONICAL SPRING 3/8
38	3400625	4	SCR-HHM 10MM X 1.5 X 25MM
39	3400942	4	SCR-SOC, 1/4-20 X .50 ZP
40	3401154	4	3/8-16X2.75 YZ 8 HCS
41	3401458	4	WSH-LOCK, 10 MM ZP
42	3402005	1	CLAMP-P 1.5 DIA

Engine Sub Assembly Part 2  
GM 1.6 L Teir 2  
3343278\_2

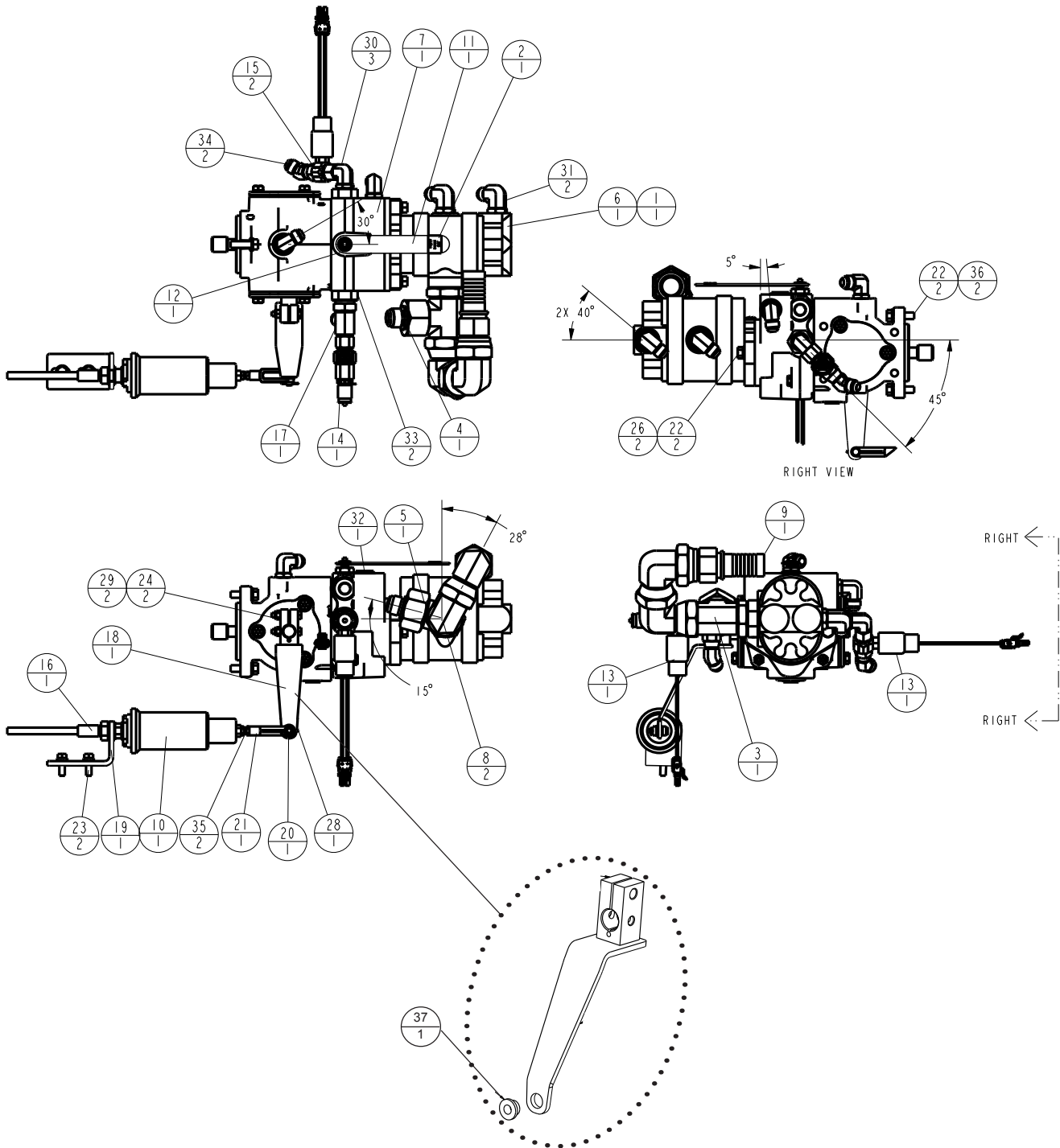


## Engine Sub Assembly Part 2 Continued

### 3343278\_2

ITEM	PART NO.	REQ 'D	DESCRIPTION
1	711203	4	BLT-HH 1/4-20 X 0.62 STPL
2	3300336	5	CLAMP-HOSE 2.5 SS
3	3300459	2	BAND-MTG AIR CLEANER PNTD BLAC
4	3300535	4	CLAMP-HOSE 1/2
5	3300558	1	KNOB-TAPERED #145 BLACK
6	3302193	6	CLAMP-HOSE 1.25 NOM
7	3302493	1	TIE-WIRE, 8 LG
8	3302543	2	CLAMP-HALF 5/16 X .344
9	3303302	1	FTG-REDUCER 3/8 FPT X 1/4 MPT
10	3303385	1	ADAPTER-90 ELL RUBBER 3.50X2.5
11	3303991	1	INDICATOR-AIR CLEANER
12	3307829	1	FTG-HOSE BARB 1/2 X 3/8 MPT
13	3307830	1	FTG-CAP 3/8 FPT
14	3317917	1	AIR CLEANER ASSY-5" RADIAL SEAL
15	3334426	1	ISOLATOR-RAD MOUNT 5/16-18
16	3336103	1	COOLER-CG 13 RADIATOR/OIL
17	3341642	1	FTG-#20 JIC TO 1.25 BARB
18	3341644	1	FTG-90 #16 O-RING TO #12 JIC
19	3341675	1	SUB-HYD RESERVOIR ASSY 5550
20	3341789	2	HOSE-AIR CLEANER 5550
21	3341790	1	WELD-2.0" AIR CLEANER T 5550
22	3341793	1	HOSE-RADIATOR BTM SHORT 5550
23	3341794	1	WELD-TEE, LOWER RADIATOR HOSE T 555
24	3341795	1	HOSE-RADIATOR TOP 5550
25	3341811	1	PAD-RADIATOR MOUNT 5550
26	3342199	1	SWITCH-PRESSURE 550 PSI (FW D/R
27	3342545	1	BRKT-RAD SUPPORT LOWER GM 1.6
28	3343108	1	HOSE-1/2 ID X 20 EEC-PCV
29	3343163	1	HOSE-RADIATOR BTM LONG
30	3343300	1	WELD-BRACKET, EPR
31	3343369	1	MNT-RAD, BOTTOM GM 1.6L, TIER 2
32	3343424	1	FTG-UNION, #12 JIC X #12 JIC
33	3343425	2	FTG-ADPT #12 JIC X #8 BSPP
34	3343426	1	FTG-ADPT 90? #12 JIC X #8 BSPP
35	3343427	1	FTG-SWIVEL 90? #12 JIC X #12 JIC
36	3343428	1	FTG-ADPT #12 JIC X #8 UNF
37	3343429	1	CONTROL UNIT-OIL TEMP.
38	3343441	1	WELD-SHROUD, RAD, GM 1.6L TIER 2
39	3343448	1	BRKT-RAD SUPPORT UPPER TIER 2
40	3400022	3	SCR-HEX 1/2-13 X 1.25 ZP
41	3400027	1	SCREW-HHM 5/16-18 X 2.75 LG ZP
42	3400029	1	SCR-HEX 3/8 -16X1.25 ZP
43	3400030	1	SCREW-HHM 3/8-16 X 1.0 LG ZP
44	3400042	6	SCR-HEX 1/4-20X.75 ZP
45	3400047	2	SCR-SOC, 5/16-18 X .75, ZP
46	3400068	2	NUT-HEX 3/8-16 ZP
47	3400070	4	NUT-HEX 5/16-18 ZP
48	3400079	2	NUT-HEX 3/8-16 ES ZP
49	3400086	1	WASHER-FLAT 1/2 STANDARD ZP
50	3400089	8	WASHER 1/4 ID .63 OD X .065 THK
51	3400091	2	WASHER-FENDER 1/2 ZP
52	3400098	3	WSR-LOCK 1/2, ZP
53	3400101	3	WASHER-LOCK 3/8 SPLIT ZP
54	3400102	4	WSR-LOCK 5/16, ZP
55	3400103	8	WASHER-LOCK 1/4 SPLIT ZP
56	3400190	1	FTG-90 ELL 1/2 TUBE TO 3/8 MPT
57	3400207	2	BLT-HH 5/16-18 X 1/2 ZP
58	3400233	2	WASHER 5/16 ID 1.0 OD X .065 THK
59	3400244	2	FTG-90 SWIVEL 8JIC
60	3400252	2	SCR-HEX, 1/4-20X3.0 ZP
61	3400278	6	WASHER-FENDER 3/8 ZP
62	3400384	2	WASHER CONICAL SPRING 5/16
63	3400390	2	NUT-FLANGE LOCK 5/16-18
64	3402003	1	FTG-ADAPTER STRAIGHT 12M JIC X 16M ORB

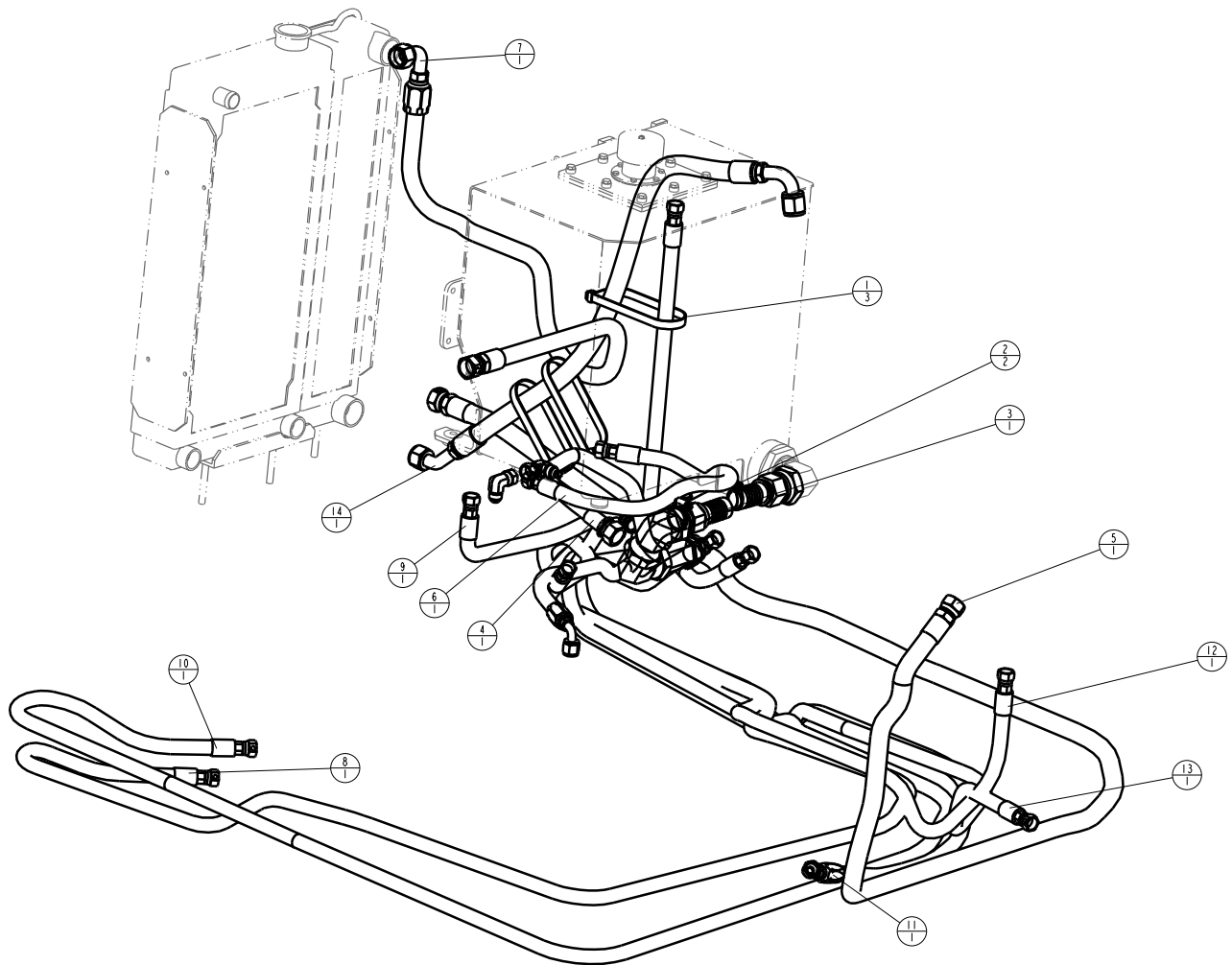
## Engine Sub Assembly Part 3 Hydraulic Pumps & Fittings 3343278\_3



Engine Sub Assembly Part 3 Continued  
Hydraulic Pumps & Fittings  
3343278\_3

ITEM	PART NO.	REQ'D	DESCRIPTION
1	3303711	1	O-RING STATIC SEAL 3.239 ID
2	3334785	1	DECAL-TOW VALVE
3	3341120	1	FTG-TEE 1-5/8-12 TO #20
4	3341121	1	FTG-REDUCER #20 TO #12
5	3341122	1	NUT-REDUCER 3 PIECE #20
6	3341146	1	PUMP-GEAR, .84 CI/R, .66 CI/R
7	3341149	1	PUMP-HYD VAR DISP 5550
8	3341641	2	FTG-SWIVEL 90 ELBOW #20 JIC
9	3341642	1	FTG-#20 JIC TO 1.25 BARB
10	3341959	1	CENTERING SPRING-HYDROBACK
11	3342055	1	HANDLE-TOW VALVE
12	3342058	1	NUT-3/8 PUSH
13	3342199	2	SWITCH-PRESSURE 550 PSI (FW D/R
14	3342203	1	COUPLING-TEST 8F JIC SWIVEL
15	3342204	2	FTG-GAUGE PORT -8 JIC
16	3342574	1	CABLE-ASSEMBLY FW D/REV
17	3342826	1	FTG-TEE #8 3/4-16 TO #12 1 1/1
18	3343289	1	ASSY-LEVER VAR PUMP 5550
19	3343292	1	BRACKET-FW D/REV MNT 5550
20	3343293	1	PIN-5/16, CLEVIS
21	3343447	1	CLEVIS, 5/16
22	3400029	4	SCR-HEX 3/8 -16X1.25 ZP
23	3400035	2	SCR-HEX 5/16-18X1.00 ZP
24	3400081	2	NUT-HEX 1/4-20 ES ZP
25	3400088	2	WASHER 5/16 ID .688 OD X .065 THK
26	3400101	2	WASHER-LOCK 3/8 SPLIT ZP
27	3400102	2	WSR-LOCK 5/16, ZP
28	3400125	1	RUE RING-1/4 HEAVY ZP
29	3400149	2	SCREW -HHM 1/4-20 X 1.5 LG
30	3400154	3	FTG-90 EL 3/4-16 MORB X -8JIC
31	3400155	2	FTG-90 EL 8JIC X 10MORB
32	3400164	1	FTG-PLUG 3/4-16 O-RING
33	3400167	2	FTG-12MORB X 8FORB
34	3400249	2	FTG-SWIVEL 45 EL #8 JIC
35	3400373	2	NUT-HEX 1/4-28-ES-ZP
36	3400385	2	WASHER CONICAL SPRING 3/8
37	3343446	1	BUSHING .3125 ID X .50 OD X.32L

Engine Sub Assembly Part 4  
Engine Hydraulic Hoses  
GM 1.6 L Tier 2  
3343278\_4





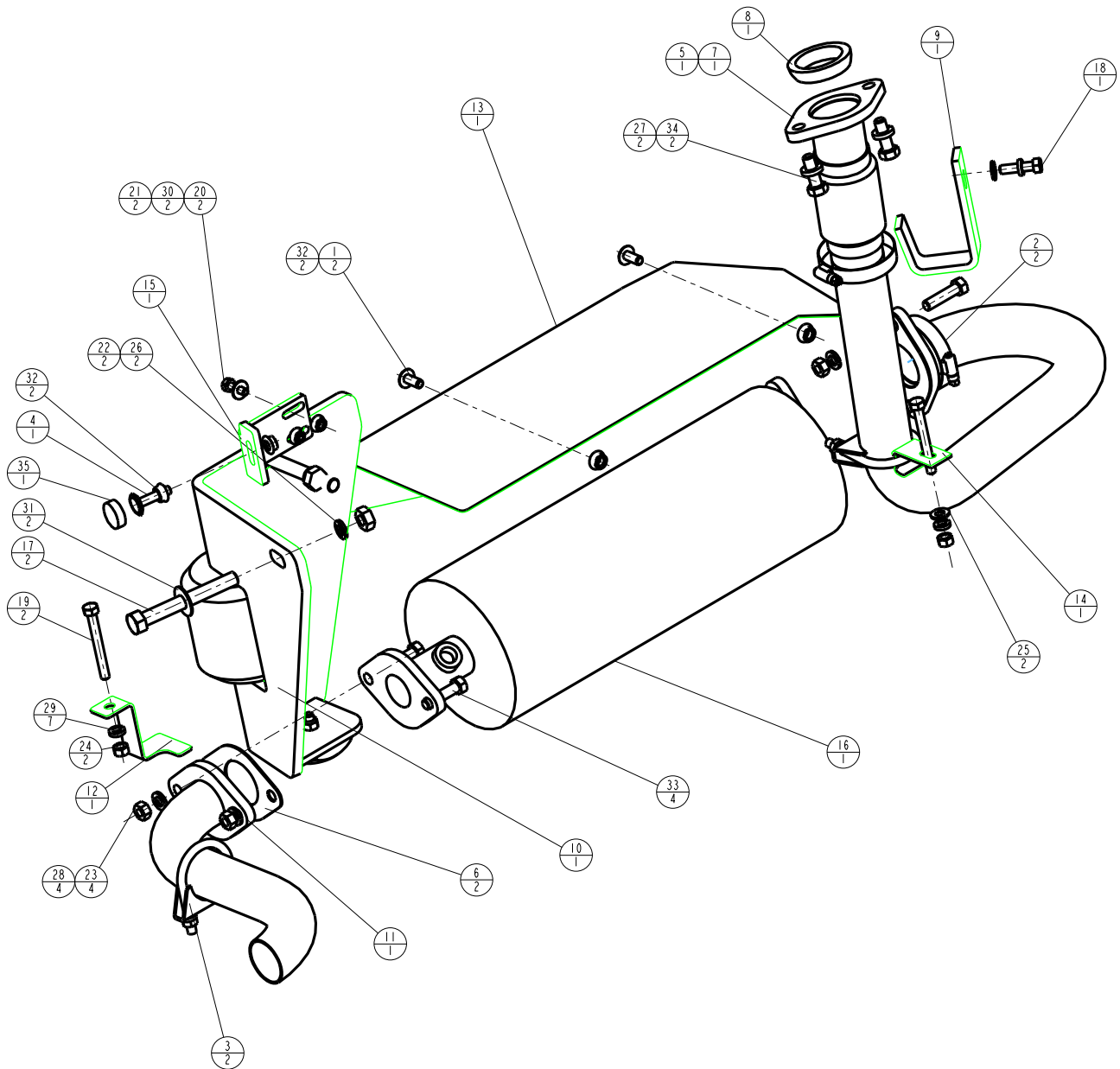
Engine Sub Assembly Part 4 Continued  
 Engine Hydraulic Hoses  
 3343278\_4

ITEM	PART NO.	REQ'D	DESCRIPTION
1	3302493	3	TIE -W IRE , 8 LG
2	3303255	2	CLAMP-HOSE 1 3/4 NOM .
3	3341643	1	HOSE-HYD SUCTION 1.25 X 6.00
4	3341751	1	HOSE - .50 AR 24.0 ST #8 ST #12
5	3341813	1	HOSE-.75 AR 122.0 ST #12 ST#12
6	3341817	1	HOSE - .50 AR 25.0 ST #8 ST #8
7	3342488	1	HOSE - .75 AR 45.0 ST #12
8	3342489	1	HOSE - .50 AR 150.75 ST #8
9	3342490	1	HOSE - .50 AR 44" W /C ST #
10	3342491	1	HOSE - .50 AR 138.5 ST #8
11	3342495	1	HOSE - .50 AR 89.0 ST #8
12	3342502	1	HOSE - .50 AR 93 ST #8 ST #8
13	3342503	1	HOSE - .50 AR 93 ST #8 ST #8
14	3343474	1	HOSE-3/4 AR 36.5 45? #12 X 90? #12

# Engine Exhaust System & Related Parts LP & Gasoline

## GM 1.6L Tier 2 Engine Sub Assembly

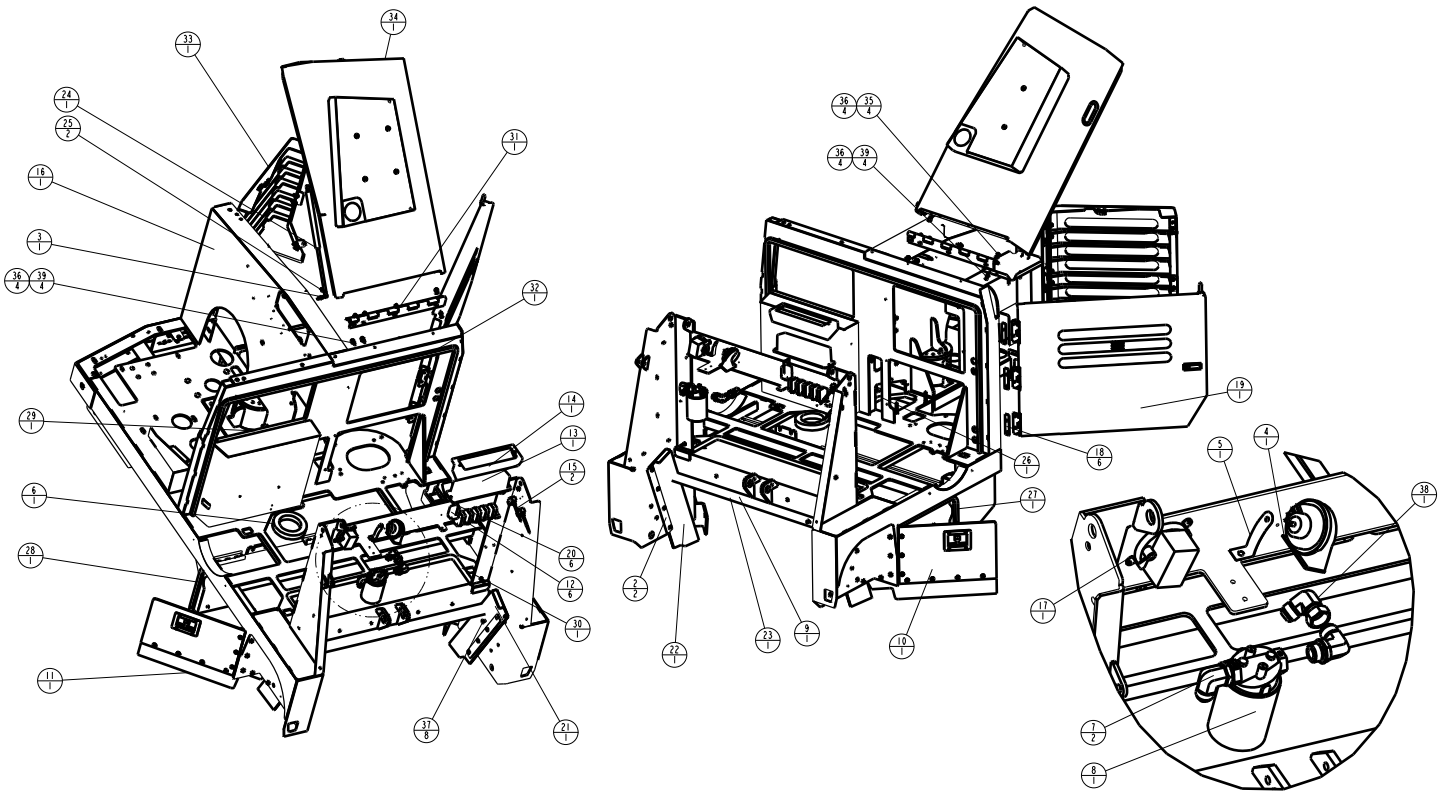
### 3343335\_2



Engine Exhaust System & Related Parts Continued  
GM 1.6L Tier 2 Engine Sub Assembly  
3343335\_2

ITEM	PART NO.	REQ'D	DESCRIPTION
1	710197	2	SCREW TRUSS HEAD 5/16-18 X .75 PH ZP
2	3300336	2	CLAMP-HOSE 2.5 SS
3	3301640	2	CLAMP-EXHAUST 1 3/4
4	3307639	1	LEVELER-5/16-18x1.5", 1" DIA,
5	3312281	1	EXHAUST-WRAP 1/16 X 4 X 24, 1800 TIER 2
6	3333656	2	GASKET-EXHAUST
7	3342786	1	WELD-HEADER PIPE GM 1.6L, 1800
8	3343069	1	GASKET, EXHAUST RING
9	3343117	1	BRACKET-HOSE RETAINER 5550/1800
10	3343285	1	SUB-BUMPER, LH REAR 5550/1800
11	3343334	1	WELD-TAIL PIPE, 1800
12	3343357	1	BRKT-TAIL PIPE
13	3343359	1	SHIELD - EXHAUST 1800/5550 TIER 2
14	3343513	1	BRACKET-HEADER PIPE
15	3343537	1	PLATE-DOOR STOP
16	3350056	1	MUFFLER-GM 1.6 L TIER 2, CAT
17	3400018	2	SCR-HEX, 1/2-13 X 4.0 ZP
18	3400034	1	SCR-HEX, 5/16-18X1.25 ZP
19	3400037	2	SCREW -HHM 5/16-18 X 2.75 LG ZP
20	3400041	2	SCREW -HHM 1/4-20 X .875 LG ZP
21	3400063	2	NUT-FLANGE LOCK 1/4-20 ZP
22	3400065	2	NUT-HEX 1/2-13 ZP
23	3400068	4	NUT-HEX 3/8-16 ZP
24	3400070	2	NUT-HEX 5/16-18 ZP
25	3400088	2	WASHER 5/16 ID .688 OD X .065 THK
26	3400098	2	WSR-LOCK 1/2, ZP
27	3400099	2	WSR-LOCK 7/16, ZP
28	3400101	4	WASHER-LOCK 3/8 SPLIT ZP
29	3400102	7	WSR-LOCK 5/16, ZP
30	3400383	2	WASHER CONICAL SPRING 1/4
31	3400387	2	WASHER-CONICAL SPRING 1/2
32	3400390	4	NUT-FLANGE LOCK 5/16-18
33	3400455	4	SCREW -HHM 3/8-16 X 1.5 LG SS
34	3401051	2	SCR-HHM 10MM X 1.5 X 30MM
35	3401076	1	CAP-RUBBER, ADJ SCR

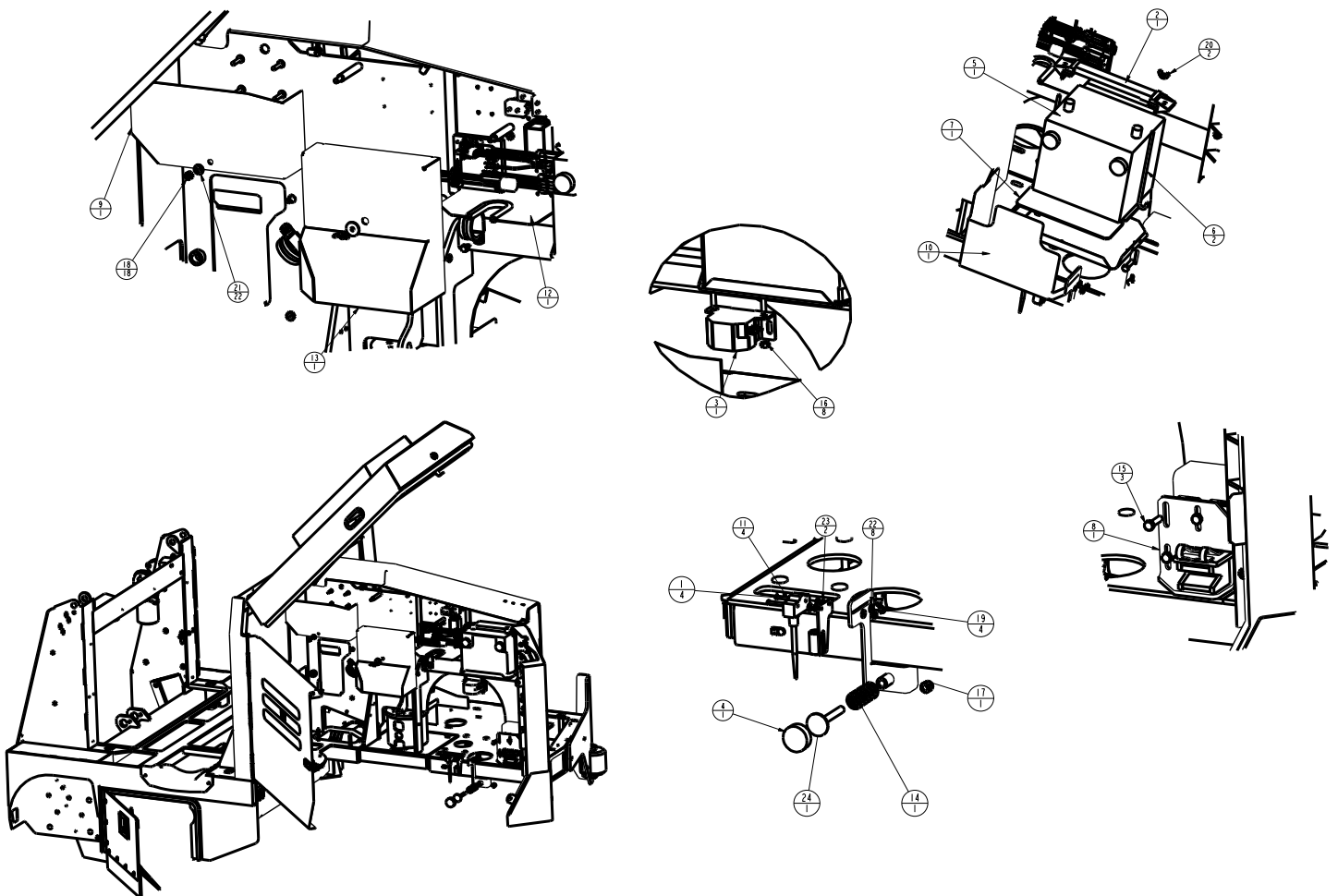
Frame Group Part 1  
GM 1.6 L Tier 2  
3342960\_A



Frame Group Part 1 Continued  
GM 1.6 L Tier 2  
3342960\_A

ITEM	PART NO.	REQ'D	DESCRIPTION
1	708	1	RTV SILICONE 10 OZ TUBE
2	3300150	2	STRAP- HOPPER SIDE PNTD
3	3300376	1	STUD-BALL 10MM
4	3300379	1	HORN
5	3300379	1	BRACKET, HORN
6	3307005	1	IMPELLER GASKET
7	3338184	2	FTG-90 ELBOW 12MORB X 12M JIC
8	3339334	1	HYD FILTER ASSY
9	3341311	1	STRAP-TOP HOPPER SEAL
10	3341652	1	SUB-LH BROOM DOOR
11	3341653	1	SUB-RH BROOM DOOR
12	3342077	6	RELAY - POWER 16 AMP
13	3342227	1	COVER, RELAYS
14	3342228	1	COVER FLANGE, RELAY SWITCHES
15	3342546	2	SWITCH-W HISKER
16	3342548	1	WELD-FRAME MAIN 1800/5550
17	3342706	1	SWITCH-PRESSURE, SERIES 1900 (
18	3342744	6	SHIM-HINGE
19	3342807	1	ASSY-EC, SIDE, 1800
20	3342926	6	RELAY-RETAINER CLIP
21	3343150	1	SEAL, LEFT HAND HOPPER SIDE
22	3343151	1	SEAL-RIGHT HAND HOPPER SIDE
23	3343152	1	HOPPER SEAL
24	3343186	1	SPRING-GAS 8" STROKE, 19.7 LG, 200 LB
25	3343234	2	CLIP-GAS SPRING
26	3343238	1	EDGING VINYL TRIM
27	3343239	1	SEAL-BROOM DOOR, 26.5"
28	3343239	1	SEAL-BROOM DOOR, 26.5"
29	3343271	1	EDGING, VINYL .1875 X 18
30	3343272	1	EDGING, VINYL .3125 X 49
31	3343276	1	HINGE-WD 1.5 X .179 THK X 19.5 LG
32	3343306	1	WEATHERSTRIPPING, RUBBER, .88 X .69
33	3343358	1	SUB-ENG GUARD, REAR
34	3343365	1	SUB-ENG COVER, TOP, 1800
35	3400080	4	NUT-HEX 5/16-18 ES ZP
36	3400088	12	WASHER 5/16 ID .688 OD X .065 THK
37	3400259	8	SCREW -FLAT HEAD 5/16-18 X 0.50, SOC ZP
38	3400636	1	FTG-ADAPTOR SWIVEL NUT ELBOW
39	3401069	8	SCREW_BHCS 5/16-18 X 1.0 LG ZP
40	3401390	1	LOCTITE 242

Frame Group Part 2  
GM 1.6 L Tier 2  
3342960\_A



Frame Group Part 2 Continued  
GM 1.6 L Tier 2  
3342960\_A

ITEM	PART NO	.REQ'D	DESCRIPTION
1	710036	4	SCR-MC 8-32 X 1.50 ST PL
2	3301076	1	HOLD DOWN-BATTERY 2-PIECE
3	3303002	1	HORN-BACK-UP
4	3304624	1	BUMPER-RUBBER CAP
5	3339406	1	BATTERY GENERIC
6	3341159	2	ROD-BATTERY TIE DOWN
7	3341162	1	TRAY PAD-BATTERY
8	3341393	1	WELD-SWING FRAME LATCH
9	3342294	1	WELD-SWITCH COVER
10	3342506	1	HEAT SHIELD, BATTERY, 5550
11	3342546	4	SWITCH-WHISKER
12	3342641	1	ASSY-FUSE PANEL (1800)
13	3342992	1	ASSY-COVER-FUSE PANEL
14	3343283	1	SPRING-COMP .960 X 2.00 Zinc
15	3400034	3	SCR-HEX,5/16-18X1.25 ZP
16	3400071	8	NUT-HEX 1/4-20 ZP
17	3400079	1	NUT-HEX 3/8-16 ES ZP
18	3400080	18	NUT-HEX 5/16-18 ES ZP
19	3400082	4	NUT-HEX #8-32 ES ZP
20	3400085	2	NUT- WING 1/4-20 ZP
21	3400088	22	WASHER 5/16 ID .688 OD X .065 THK
22	3400096	8	WASHER-FLAT #8 ZP
23	3400277	2	WASHER-STAR #8 ZP INT TEETH
24	3401092	1	LEVELER-3/8-16 X 3.0 LG

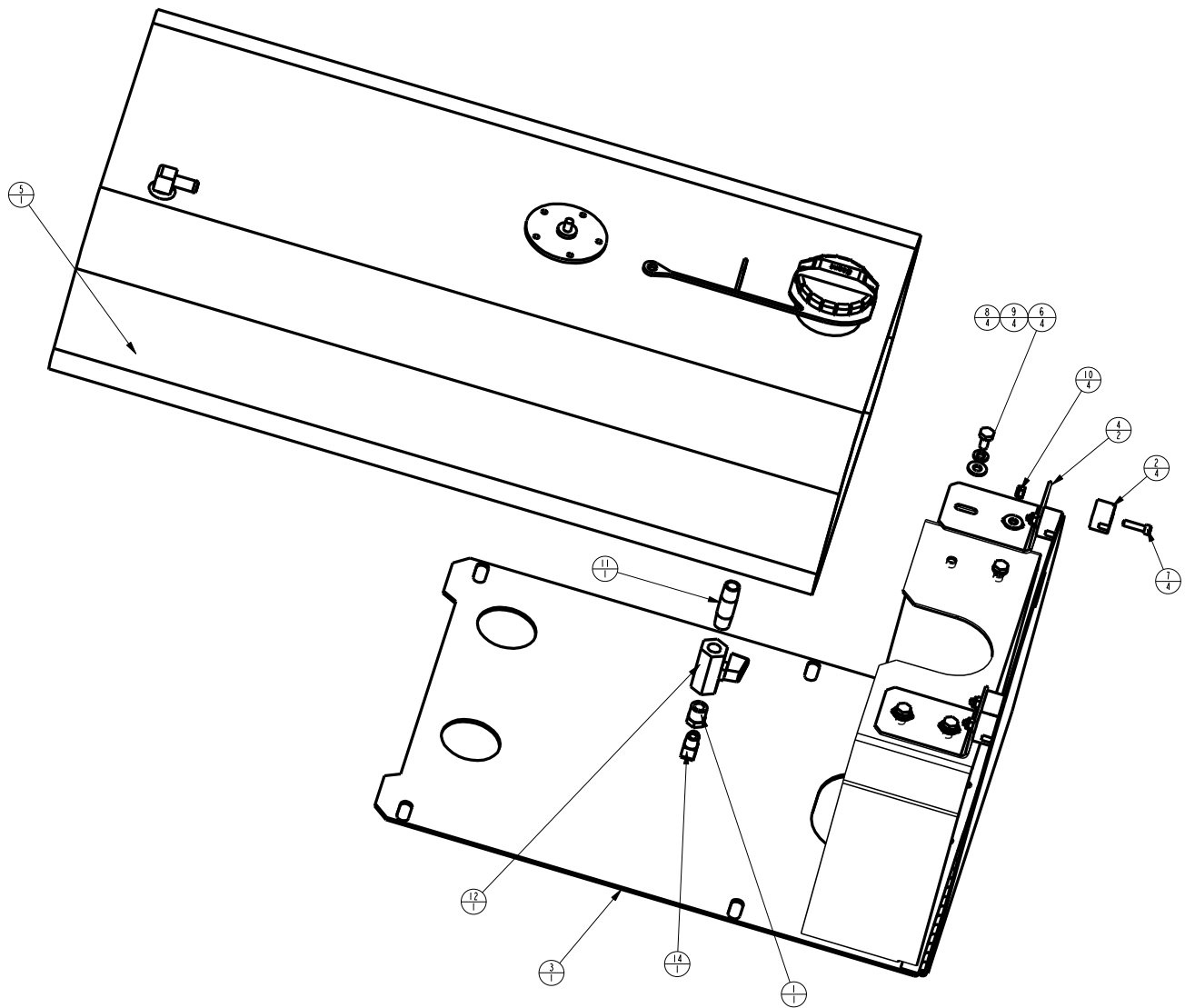




Fuel System Gasoline Group Continued  
GM 1.6L Tier 2  
3343553

BILL OF MATERIAL			
ITEM	PART NO	.REQ'D	DESCRIPTION
1	712636	1	NUT-HEX 10-32 SS
2	3301358	7	TIE-WIRE, 8 LG
3	3302338	10	CLAMP-HOSE 1/2
4	3341117	2	STRAP-FUEL TANK
5	3342206	5	FTG-FUEL 90 DEG ELL HOSE BARB
6	3342207	3	FTG-FUEL HOSE BARB
7	3342209	1	FILTER-FUEL
8	3343338	1	HOSE-FUEL, 5/16 ID X 12 LG, SAE30R7
9	3343360	1	HOSE-FUEL, 5/16 ID X 28 LG, SAE30R7
10	3343473	1	TANK, FUEL, SUB-ASSEMBLY
11	3343516	1	HOSE-FUEL, 5/16 ID X 23 LG, SAE30R7
12	3343517	1	HOSE-FUEL, 5/16 ID X 67 LG, SAE30R7
13	3343518	1	HOSE-FUEL, 5/16 ID X 43 LG, SAE30R7
14	3343536	1	PUMP, FUEL, BOSCH HIGH PRESSURE
15	3343538	1	ISOLATOR - RUBBER, 3/16 THK
16	3343539	2	CLAMP - P TYPE, 2 DIA
17	3400035	1	SCR-HEX 5/16-18X1.00 ZP
18	3400079	4	NUT-HEX 3/8-16 ES ZP
19	3400080	1	NUT-HEX 5/16-18 ES ZP
20	3400087	4	WASHER 3/8 ID .81 OD X .065 THK
21	3400089	2	WASHER 1/4 ID .63 OD X .065 THK
22	3400103	2	WASHER-LOCK 1/4 SPLIT ZP
23	3400104	1	WASHER-LOCK # 10 SPLIT ZP
24	3400233	2	WASHER 5/16 ID 1.0 OD X .065 THK
25	3400351	2	SCR-HEX, 1/4-20X2.25 ZP
26	3401072	1	NUT-HEX 4MMX.7P SS
27	3401073	1	W SH-LOCK, 4 MM ZP
28	3401088	2	FTG-ADAPTER, FUEL 1/2-20 W / ORING
29	3401089	1	FTG-ADAPTER, FUEL 3/8-24 W / ORING
30	3401090	1	FTG-ADAPTER, FUEL 3/8-24 NO ORING
31	E176510	1	MANIFOLD-FUEL PRESSURE / TEMP

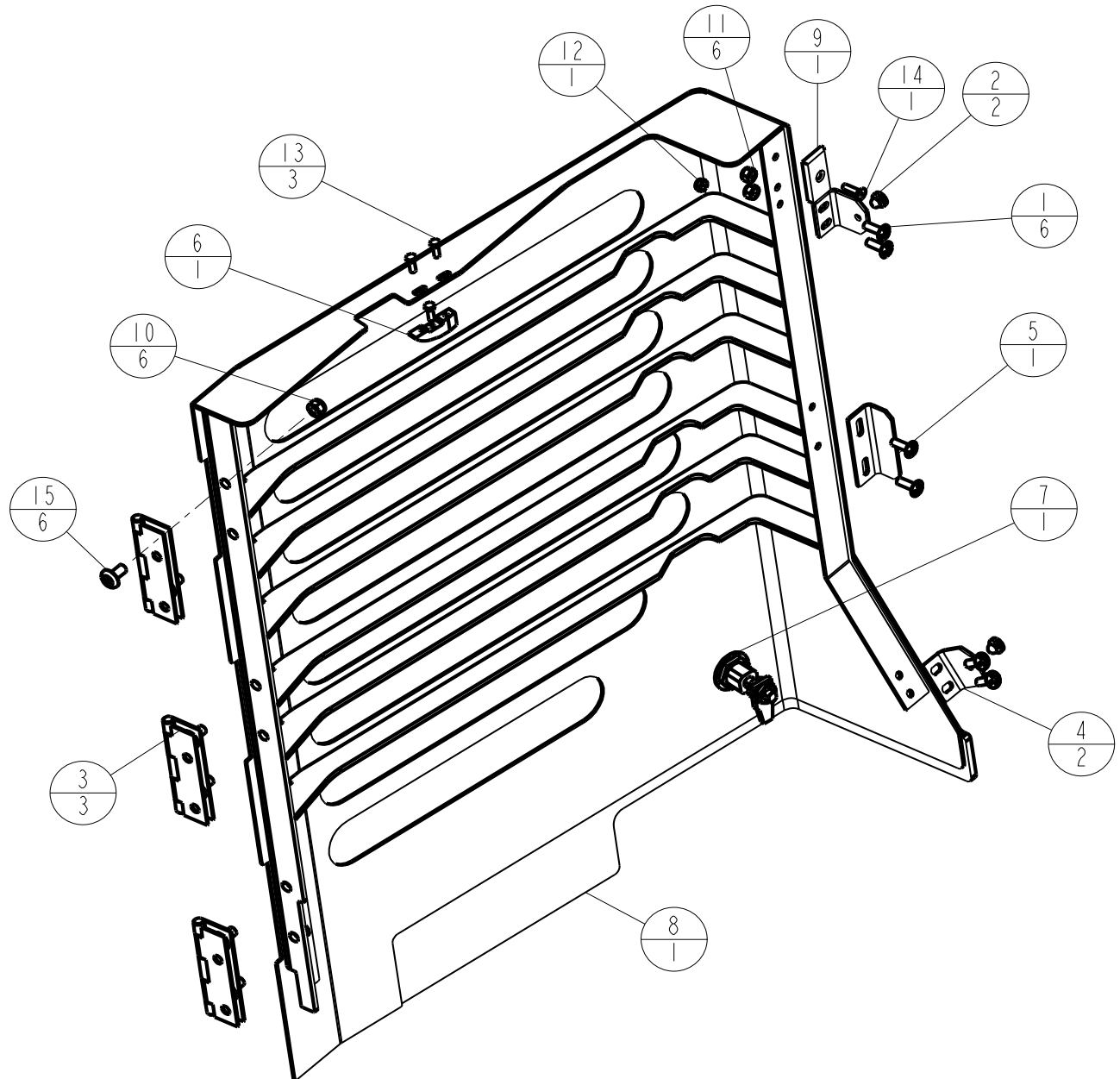
Fuel Tank Sub Assembly Gasoline  
GM 1.6L Tier 2  
3343473\_B



Fuel Tank Sub Assembly Gasoline Continued  
GM 1.6L Tier 2  
3343473\_B

ITEM	PART NO	REQ'D	DESCRIPTION
1	3308383	1	FTG-REDUCER 1/4 MPT TO 1/8 FPT
2	3341119	4	MAGNET-FUEL DOOR
3	3341572	1	WELD-FUEL DOOR
4	3341577	2	BRKT-MAGNET MNT
5	3343337	1	FUEL TANK - 10 GAL
6	3400043	4	SCR-HEX 1/4-20X.50 ZP
7	3400048	4	SCR-SOC 10-32 X 0.75 ZP
8	3400089	4	WASHER 1/4 ID .63 OD X .065 THK
9	3400103	4	WASHER-LOCK 1/4 SPLIT ZP
10	3400172	4	NUT-HEX JAM #10-32 ES ZP
11	3400498	1	FTG-NIPPLE 1/4 MPT
12	3400499	1	VALVE-MINATURE 1/4 FPT BALL
13	3401122	0.1	00SEALANT-THREADED PIPE, 565 PST
14	3402006	1	FTG-90 DEG 5/16 BARB TO 1/4 NPT

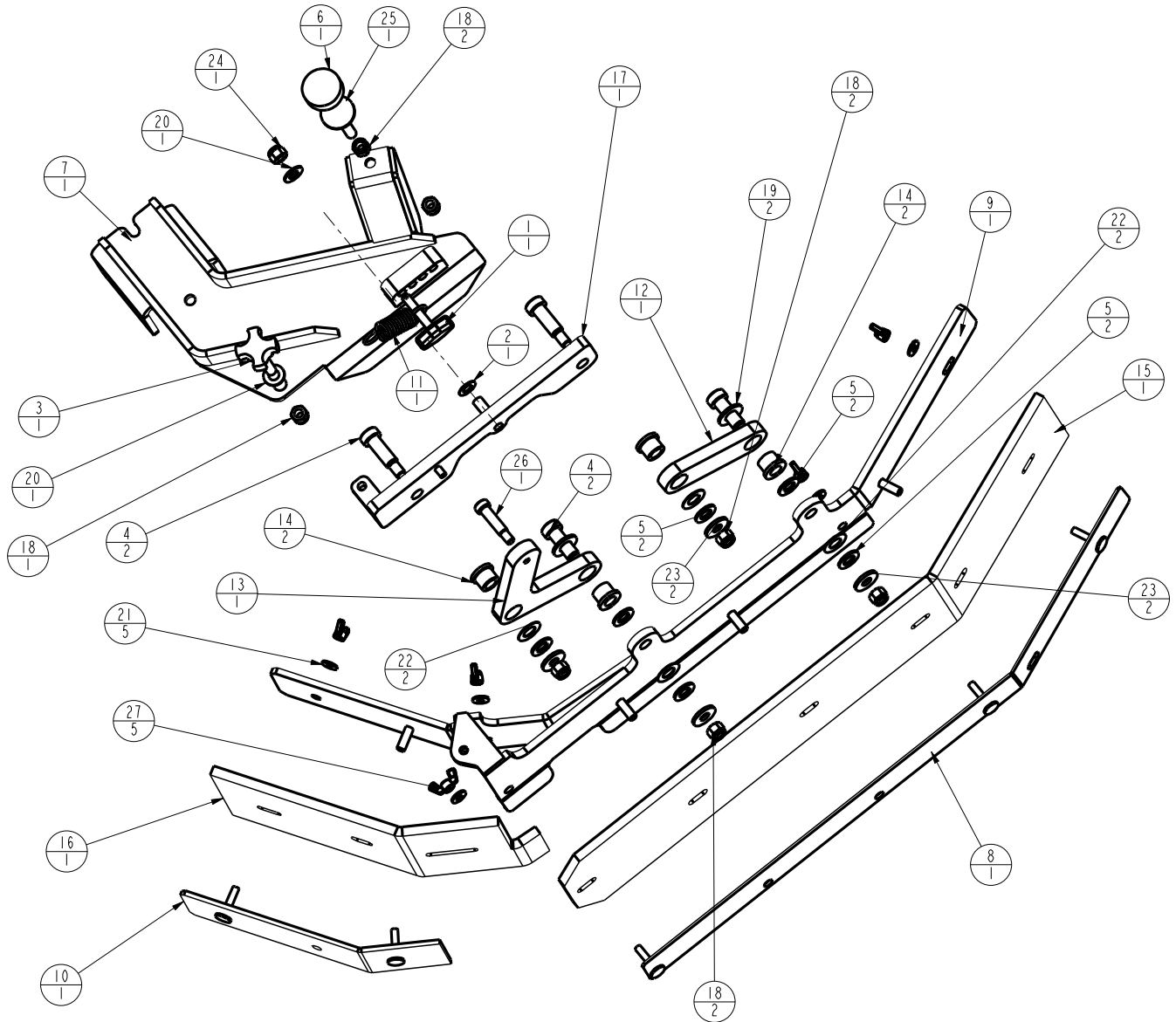
# Rear Guard Sub Assembly 3343358\_A



Rear Guard Sub Assembly Continued  
3343358\_A

ITEM	PART NO	REQ'D	DESCRIPTION
1	710180	6	SCR-MC TR HD 1/4-20x.75 STL ZINC
2	3300526	2	BUMPER - RUBBER GROMMET
3	3307513	3	HINGE-WD 1.25 X .06 W X 4 LG
4	3341362	2	STOP-EC SIDE DOOR
5	3341363	1	DOOR STRIKE-EC SIDE DOOR
6	3342862	1	CATCH-PAWL LATCH
7	3343017	1	LATCH, VISE ACTION, LARGE, 7MM KE
8	3343340	1	WELD-GUARD-ENG, REAR
9	3343445	1	BUMPER-PLASTIC 1/4
10	3400080	6	NUT-HEX 5/16-18 ES ZP
11	3400081	6	NUT-HEX 1/4-20 ES ZP
12	3400172	1	NUT-HEX JAM #10-32 ES ZP
13	3400315	3	SCR-HEX 10-32 X 1/2 ZP
14	3400724	1	SCREW -FLAT HEAD 10-32 X 0.75, SOC
15	3401061	6	SCREW_BHCS 5/16-18 X 5/8 LG SS

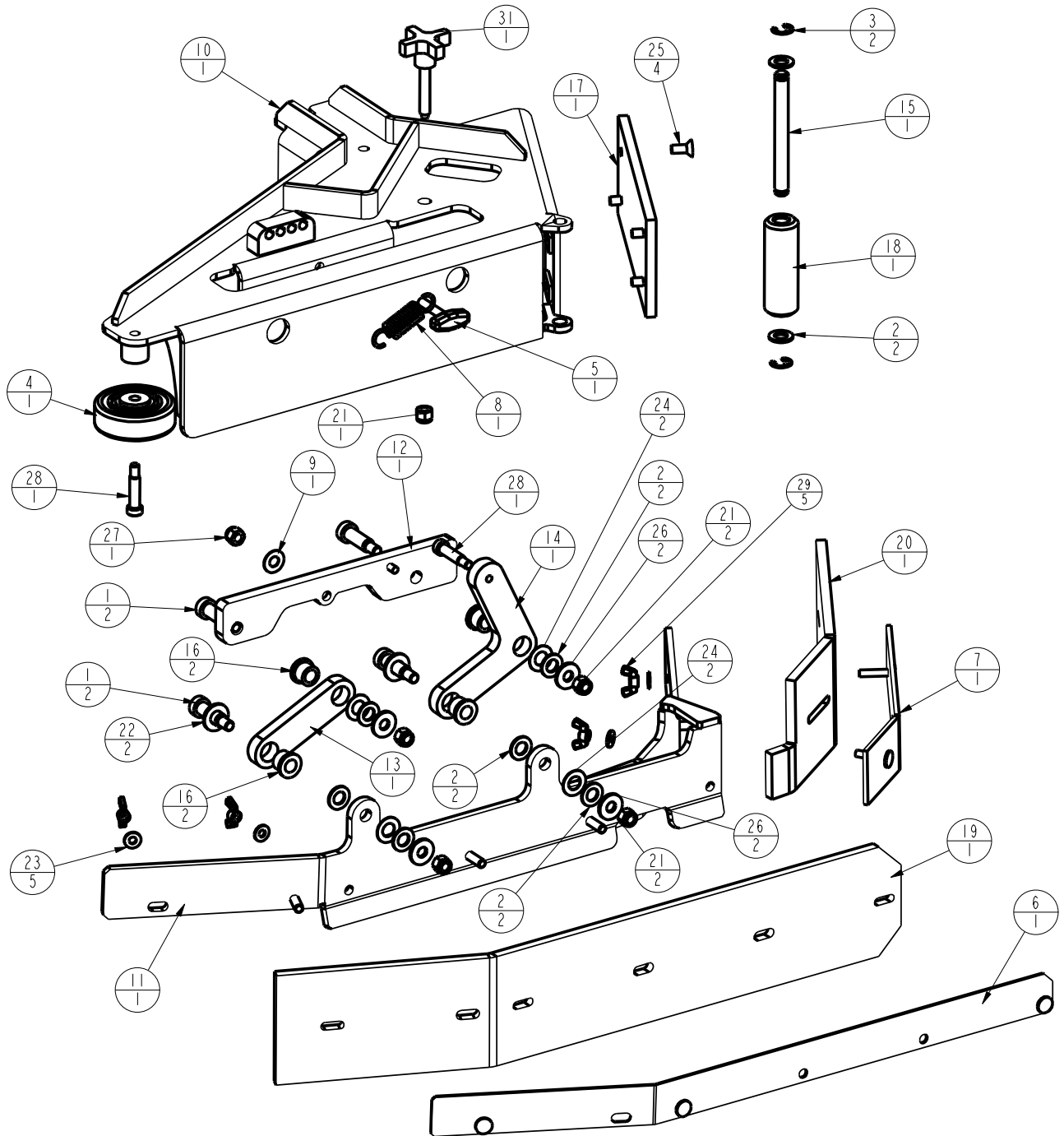
# Side Squeegee Left Hand Sub Assembly 3341658\_E



## Side Squeegee Left Hand Sub Assembly Continued 3341658\_E

ITEM	PART NO .	REQ 'D	DESCRIPTION
1	333518	1	5/16 X 1.50 BALL DETENT T-HANDLE
2	341955	1	W ASHER -3/8" FIBERGLIDE THRUST
3	402065	1	KNOB -3/8-16 X 2.00 FLUTED
4	710992	4	BLT- SHLDR 1/2 X 1.25 STPL
5	711592	6	W SR-FLAT .50 X .9 X .075 NYL
6	3304624	1	BUMPER-RUBBER CAP
7	3341928	1	WELD-SQ ARM LH
8	3341938	1	WELD-SIDE SQ RET LH
9	3341940	1	WELD-SQ MNT LH
10	3341950	1	WELD-RET FRT SQ LH
11	3341954	1	SPRING -SIDE SQUEEGEE
12	3342534	1	ARM -CRANK REAR SQ
13	3342535	1	ARM -CRANK FRONT SQ
14	3342538	4	BUSHING -BRONZE FLANGED 1/2" ID
15	3342892	1	SQUEEGEE -SIDE BLADE
16	3342893	1	SQUEEGEE -BLADE FRONT
17	3343423	1	WELD-PIVOT PLT
18	3400079	7	NUT-HEX 3/8-16 ES ZP
19	3400086	2	W ASHER -FLAT 1/2 STANDARD ZP
20	3400087	2	W ASHER 3/8 ID .81 OD X .065 THK
21	3400089	5	W ASHER 1/4 ID .63 OD X .065 THK
22	3400178	4	BEARING -THRUST .531 ID X 1.00 OD
23	3400336	4	W ASHER 3/8 ID 1.0 OD X ..105 THK SS
24	3400342	1	NUT-HEX 3/8-24 ES ZP
25	3400355	1	LEVELER -3/8-16 X 2 1/2
26	3400726	1	BLT-SHLDR 3/8 X 1 1/4
27	3401046	5	NUT- W ING 1/4-20 SS LOCK
28	3401390	1	LOCTITE 242

# Side Squeegee Right Hand Sub Assembly 3342516\_F

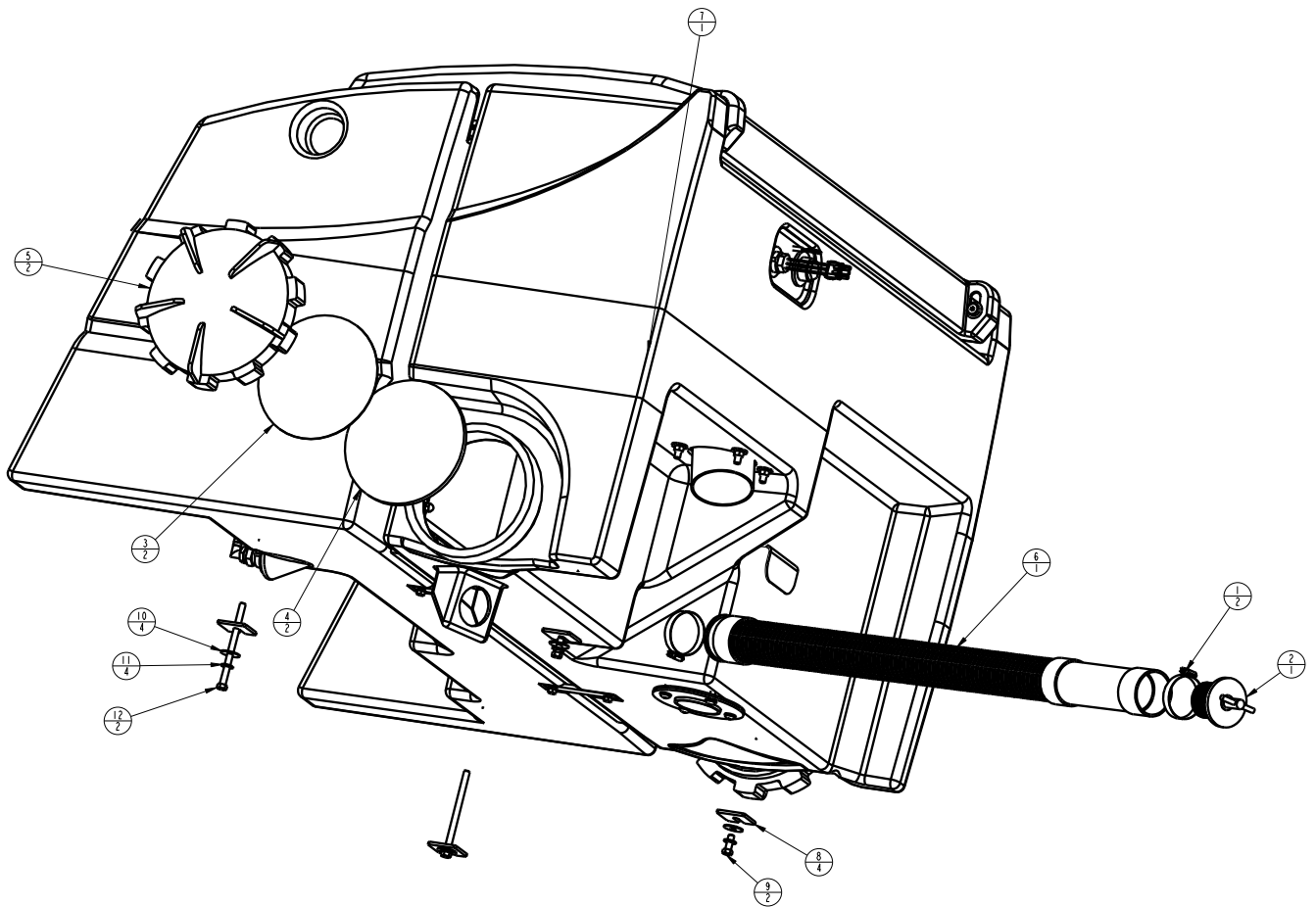




## Side Squeegee Right Hand Sub Assembly Continued 3342516\_F

ITEM	PART NO.	REQ'D	DESCRIPTION
1	710992	4	BLT-SHLDR 1/2 X 1.25 STPL
2	711592	8	W SR-FLAT .50 X .9 X .075 NYL
3	711713	2	RETAINING RING - "E" TYPE EXT .500
4	808829	1	WHEEL,TRUCK
5	3333518	1	5/16 X 1.50 BALL DETENT T-HANDLE
6	3341942	1	WELD-RET SIDE SQ RH
7	3341947	1	WELD-RETAINER SQ FRT RH
8	3341954	1	SPRING-SIDE SQUEEGEE
9	3341955	1	WASHER-3/8 FIBERGLIDE THRUST
10	3342517	1	WELD-SIDE SQ MNT HAKO 5550
11	3342529	1	WELD-SQUEEGEE MNT RH
12	3342532	1	WELD-PIVOT PLT
13	3342534	1	ARM-CRANK REAR SQ
14	3342535	1	ARM-CRANK FRONT SQ
15	3342537	1	PIN-ROLLER
16	3342538	4	BUSHING-BRONZE FLANGED 1/2" ID
17	3342634	1	WEAR PLATE
18	3342637	1	ROLLER-SQUEEQEE FRT
19	3342892	1	SQUEEGEE-SIDE BLADE
20	3342893	1	SQUEEGEE-BLADE FRONT
21	3400079	5	NUT-HEX 3/8-16 ES ZP
22	3400086	2	WASHER-FLAT 1/2 STANDARD ZP
23	3400089	5	WASHER 1/4 ID .63 OD X .065 THK
24	3400178	4	BEARING-THRUST .531 ID X 1.00 OD
25	3400297	4	SCREW -FLAT HEAD 5/16-18 X 3/4, SOC ZP
26	3400336	4	WASHER 3/8 ID 1.0 OD X .105 THK SS
27	3400342	1	NUT-HEX 3/8-24 ES ZP
28	3400726	2	BLT-SHLDR 3/8 X 1 1/4
29	3401046	5	NUT- WING 1/4-20 SS LOCK
30	3401390	1	LOCTITE 242
31	3402065	1	KNOB-3/8-16 X 2.00 FLUTED

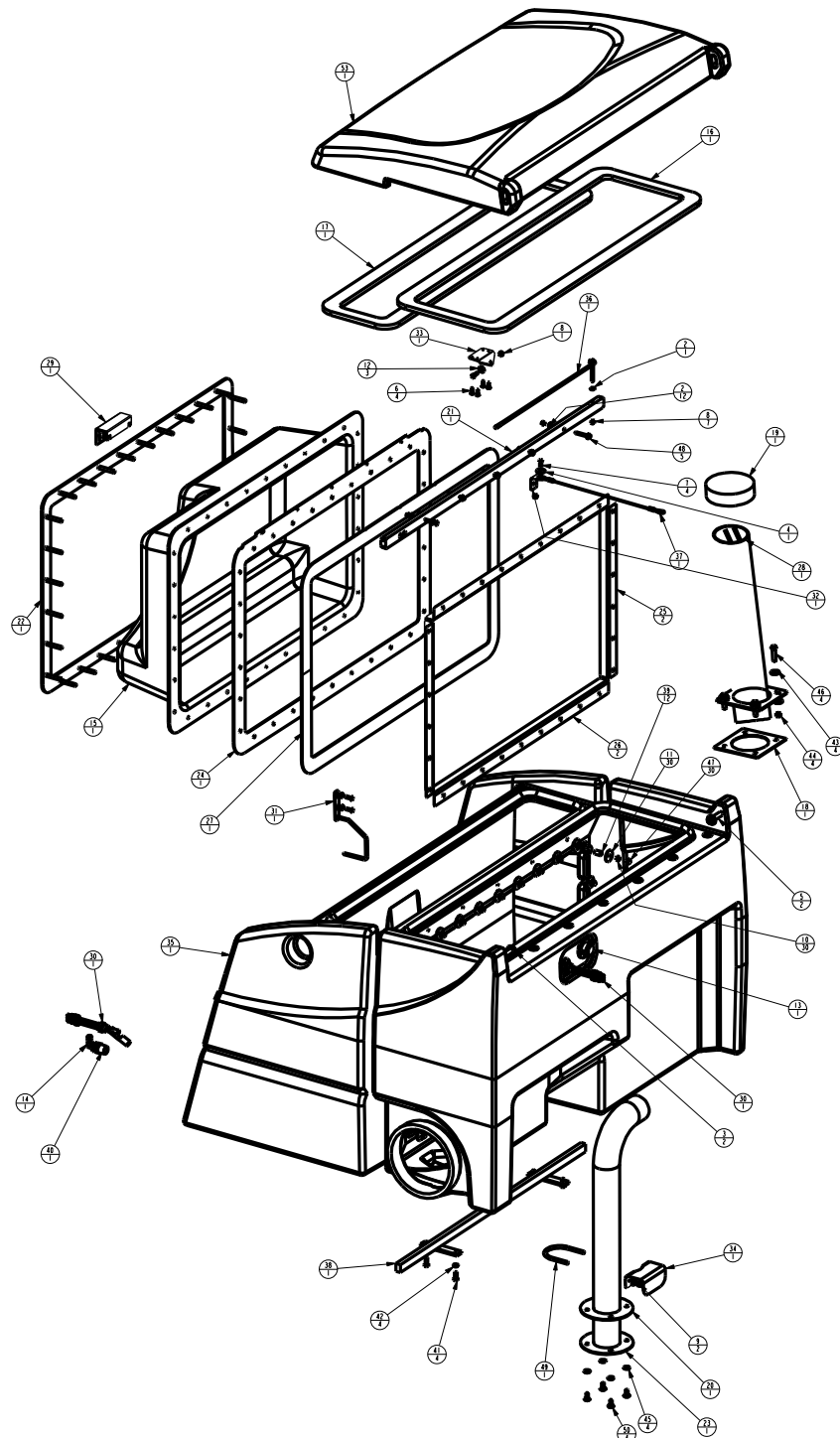
# Solution / Recovery Tank Group 3342961



## Solution / Recovery Tank Group Continued 3342961

BILL OF MATERIAL			
ITEM	PART NO.	REQ'D	DESCRIPTION
1	3300336	2	CLAMP-HOSE 2.5 SS
2	3300451	1	PLUG-ADJ DRAIN HOSE
3	3309098	2	PLATE-BACKING 9" CAP
4	3315258	2	GASKET-9" PLASTIC CAP
5	3341003	2	CAP-TANK 9"
6	3342789	1	SUB-DRAIN HOSE ASSY
7	3342805	1	SUB-1800 SOL/REC TANK
8	3343085	4	WASHER, SQ 2 X 2
9	3400030	2	SCREW -HHM 3/8-16 X 1.0 LG ZP
10	3400278	4	WASHER-FENDER 3/8 ZP
11	3400385	4	WASHER CONICAL SPRING 3/8
12	3402076	2	SCR-HEX 3/8-16 X 5.50 ZP

# Solution / Recovery Tank Sub Assembly 3342805\_F



## Solution / Recovery Tank Sub Assembly Continued 3342805\_F

ITEM	PART NO.	REQ'D	DESCRIPTION
1	708	1	RTV SILICONE 10 OZ TUBE
2	711504	13	W SR-FLAT 1/4 ID SS
3	711509	2	W SR-FLAT 1/2 (.54X1.082X.087)
4	711519	1	W SR-FLAT .25 X 1.01 X .06
5	712120	2	BLT- SHLDR 1/2 X 2
6	712534	4	10-24 X .50 SS TRUSS HD SCR
7	712562	4	BOLT-HH 1/4-20X3/4 SS
8	712667	8	NUT, HEX 1/4-20 NYLOC SS
9	712680	2	NUT-HEX 5/16-18 SS
10	712683	30	NUT, HEX 5/16-18 NYLOC SS
11	712759	30	W SR- FLT .31 X 1.37 X .06 SS
12	712772	3	W SR-FLAT .344 x .75 x .06 SS
13	3309060	1	FTG-PLUG NYLON 3/4 MP
14	3313191	1	ELBOW 1/2 MPT X 1/2 BARB
15	3341001	1	BLADDER BAG - SOL/REC TANK
16	3341009	1	FRONT SEAL - SOL/REC TANK
17	3341010	1	REAR SEAL - SOL/REC TANK
18	3341139	1	GASKET-SUCTION TUBE
19	3341141	1	FILTER IMP SUCTION TUBE
20	3341150	1	GASKET-STAND TUBE
21	3341165	1	PLATE-MIDDLE TANK SUPPORT
22	3341521	1	WELD-BLADDER FRAME
23	3341525	1	WELD-SUCTION TUBE
24	3341527	1	WASHER PLT-BLADDER
25	3341528	2	ANGLE B-BLADDER RET
26	3341529	2	ANGLE B-BLADDER RET
27	3341982	1	GASKET-BLADDER
28	3342028	1	WELDMENT-IMPELLER INLET
29	3342174	1	INDICATOR-FILL LEVEL
30	3342175	2	SWITCH-FLOAT LS7 POLYPROPYLENE
31	3342176	1	WELD-FLOAT GUARD
32	3342190	1	MOUNT-LANYARD LOWER
33	3342191	1	MOUNT-LANYARD UPPER
34	3342542	1	BRKT-SUCTION TUBE 5550
35	3342804	1	TANK-5550 SOL/REC SUB MINOR
36	3343068	1	ASSY, SAFETY PROP
37	3343073	1	CABLE ASSY- WIRE 3/32 DIA X 17 LG
38	3343331	1	WELD-SUPT, LWR SOL/REC TANK
39	3343567	12	SPACER-SOL/REC TANK
40	3347554	1	FTG-PLUG NYLON 3/4 MP
41	3400036	4	BOLT-HH 5/16-18X3/4
42	3400102	4	W SR-LOCK 5/16, ZP
43	3400336	8	WASHER 3/8 ID 1.0 OD X .105 THK SS
44	3400340	4	NUT-HEX 3/8-16 ES ZP SS
45	3400384	4	WASHER CONICAL SPRING 5/16
46	3400455	4	SCREW -HHM 3/8-16 X 1.5 LG SS
47	3400933	30	NUT, ACORN 5/16-18
48	3401000	5	SCREW -HHM 1/4-20 X 1.75 LG SS
49	3401031	1	U-BOLT 5/16-18
50	3401032	4	SCREW TRUSS HEAD 5/16-18 X 3/4 PH SSL
51	3401122	0.1	SEALANT-THREADED PIPE, 565 PST
52	3401128	0.1	ANTI-SEIZE, STICK 20 GR
53	3343508H	K 1	SUB-LID, SOL/REC TANK